

Item # _____

Quantity _____

Dessert Display Cart

Laminate 5-Shelf

Spec. # _____

A/A # _____



Model 37212
Victorian Cherry
Finish

Increase Profitable Dessert Orders

Benefits

- ▼ Create impulse orders by merchandising
- ▼ Roll tableside or station strategically

Features

- ▼ Durable laminate shelves
- ▼ Ample shelf area for greater offering variety
- ▼ Sturdy tubular legs (brass or epoxy steel)
- ▼ Choice of ten standard or custom finishes
- ▼ Attractive oval shape

Casters

- ▼ Non-marking with accent matching finish and 5" wheels

Specifications:

Unit shall be constructed of MDF laminate shelves with polished brass or epoxy coated steel legs. Shall have five each oval shaped shelves in three shelf sizes. Shelves shall have decorative vinyl edging, with largest shelf having black vinyl bumper edge. Legs shall be 1 1/4" tubing. Casters shall have accent matching finish and shall be all-swivel plate-mount with 5" non-marking wheels.



Geneva Designs, LLC

4900 West Electric Avenue • West Milwaukee, WI 53219 U.S.A.

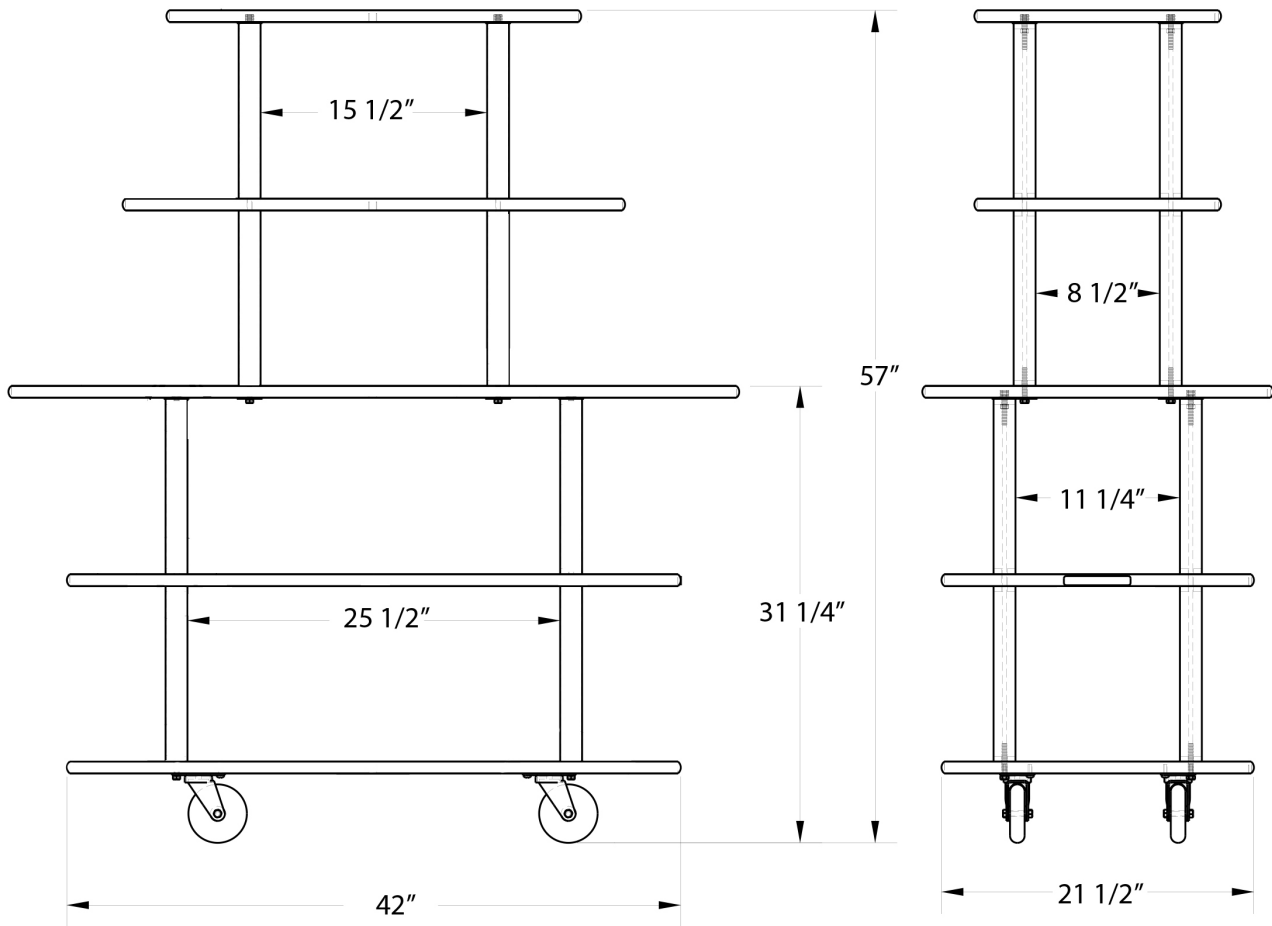
800-870-2779 • 414-902-6400 • Fax 414-902-6446 • www.genevadesignsllc.com

Dessert Display Cart

Laminate 5-Shelf

Spec. #

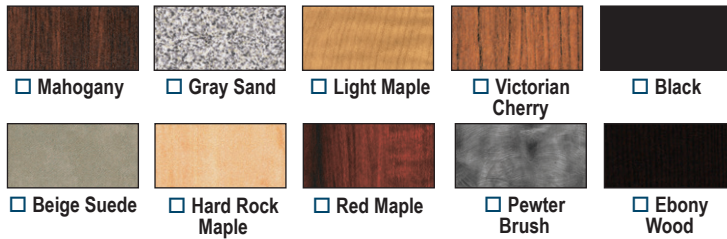
AIA #



Product Information

Model	Shelf Sizes		Shelf Clearance	Overall Size			Case Wt. Lbs.	
	L	W		W	D	H		
37212	Lower 2	42"	21 1/2"	12"	50"	24"	57"	129 (58.5 kg)
	Middle	50"	24"	12"				
	Top 2	28"	16 3/4"	12"				

Available Laminate Finishes



Custom Laminate Finishes Available.



Geneva Designs, LLC

4900 West Electric Avenue • West Milwaukee, WI 53219 U.S.A.

800-870-2779 • 414-902-6400 • Fax 414-902-6446 • www.genevadesignsllc.com